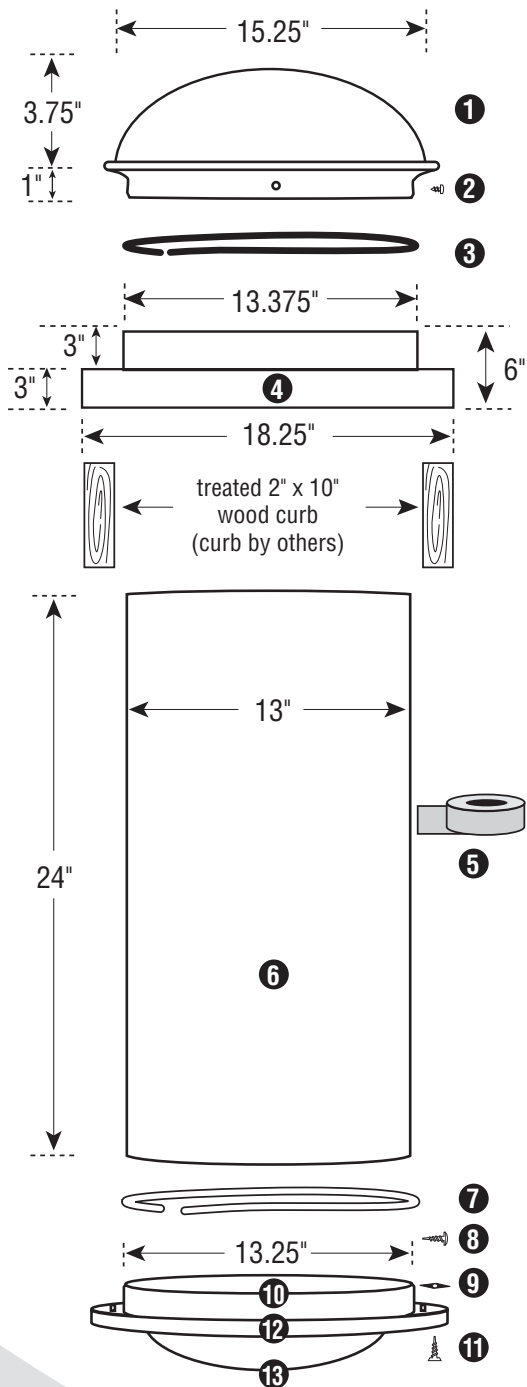


13" Tubular Skylight Technical Specifications



13" CURB-MOUNTED FLASHING

1. Clear UV Protected, 100% High Impact Modified Acrylic Dome
2. (4) Phillips Head Stainless Steel 1/4" Sheet Metal Screws
3. Black Nylon Horse Hair Gasket (Self-Adhesive Backed)
4. Powder Coated Galvanized Steel Flashing
5. Heavy Duty Foil Tape
6. Light Pipe, (2) 24" Sections per Kit
7. White Nylon Horse Hair Gasket (Self-adhesive Backed)
8. (6) Tek Screws
9. (3) Black Speed Nuts
10. Aluminum Ceiling Ring
11. (3) 1 1/2" Phillips Screws
12. White Powder Coated Aluminum Trim Ring
13. High Impact Acrylic Soft White or Prismatic Diffuser

COVERAGE AREA
up to 300 sq. ft.

WATTAGE OUTPUT EQUIVALENT
up to 500 watts

MAXIMUM TUBE LIGHT LENGTH
20 feet

ICBO
Approved



OPTIONAL REMOTE CONTROLLED DIMMER

